



HDFX

High Speed Exterior Light Door

DIRECT DRIVE

TNR® delivers a hybrid door system that combines the cost and speed benefits of fabric doors with the rugged durability of the traditional TNR door.

COST EFFECTIVE PERFORMANCE

Easy to install, efficient to operate and maintain

HIGH TRAFFIC

Maintains productivity under high process flow demands

DOOR IMPACT CONCERNS

Easily handles lift truck and vehicle impacts

APPLICATIONS

Ideal for light manufacturing and commercial exterior applications



***Tough 'n' Ready
For Your Challenging
Environments***

HIGH SPEED EXTERIOR LIGHT DOOR—Direct Drive Springless

Applications: Manufacturing, food processing, automotive, transit & postal depots and airports.

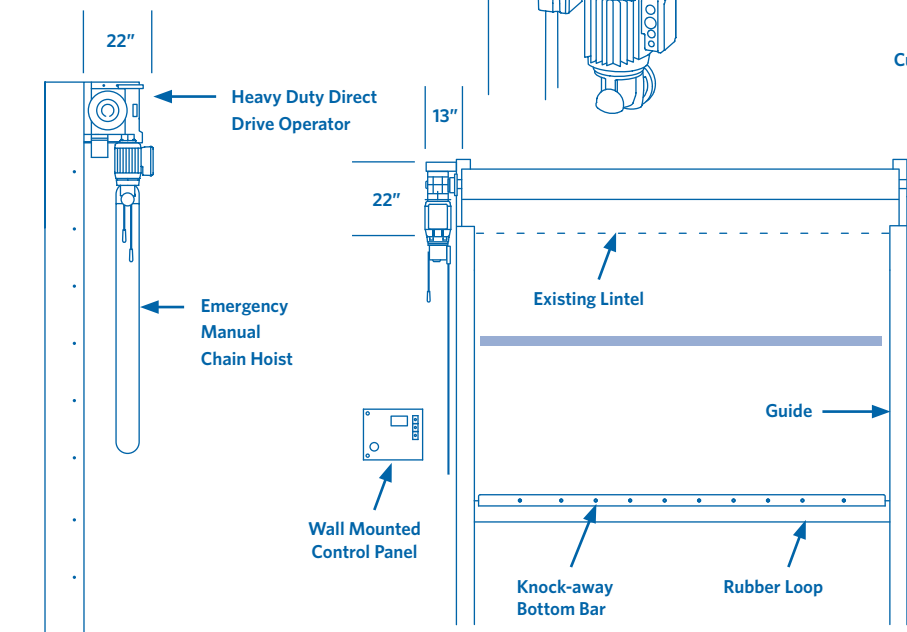
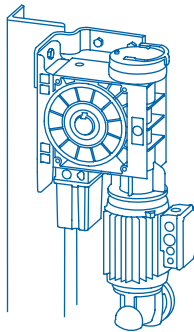
TNR® Mechanical Features

- Patented NEWGEN® guide and Curtain Lok™ system. Reliable and consistent door operation with impact release performance. No guide gap maintenance required.
- Withstands impact. After impact, the door is up and running in minutes.
- Knock-away bottom bar with rubber loop and reversing edge.
- Simple endplate & mounting angle design, sleek profile with easy installation, reduced clearances & minimal maintenance.
- No hinges, cables, pulleys, or tension springs.
- Self-supporting steel frame.
- Guide mounted thru-beam photoelectric sensor.
- Options: Hoods, traveling windbar, colors in EPDM or vinyl fabric.

TNR® Drive Features

- Heavy Duty Gear Direct Drive Operator
 - Variable Frequency Drive
 - Soft start / soft stop
- Smooth, quiet operation
- Optional Plug and Play

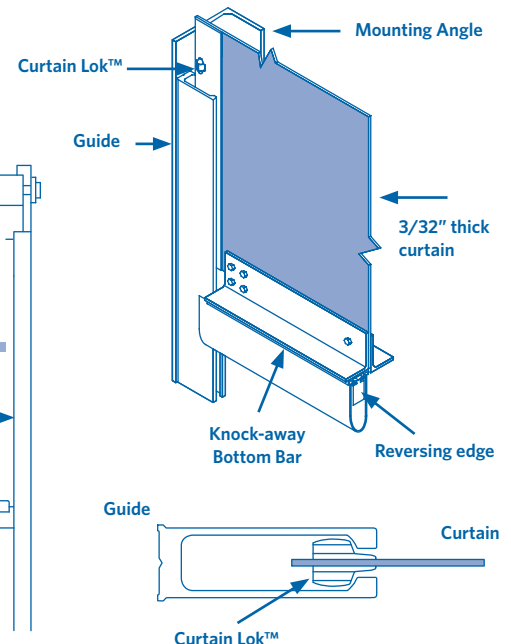
Heavy Duty Direct Drive Operator



Open/Close Speed —up to 60/38 inches per second.
Door Size —Maximum 18' x 18'.
Reversing edge —Pressure sensitive Air Wave edge, standard wireless.
Control panel —Multi-function logic board with inverter drive for soft start/soft stop operation—panel mounted E-stop, rotary disconnect, up/down/stop buttons.
Activation —Panel mounted up/down/stop buttons, operator pull cords. Optional remotes, loop detectors, photoeyes.
Mounting —Self supporting steel mounting angles and end plates.
Warranty —Five years on NEWGEN® Guide and Curtain Lok™, curtain material, bottom bar arms. - Five years or 1,000,000 cycles on drive/operator. - Two years on all other mechanical and electrical components.

Curtain Material Options—5 year warranty			
SBR Rubber	3/32" thick with polyester core weave.	Black (with standard vision stripe).	Durable and resistant to rugged environments.
EPDM Rubber	3/32" thick with polyester core weave.	Orange, blue.	Flexible and chemical resistant.
Heavy Duty Fabric	88 oz (3/32" thick) vinyl 2-ply fabric, polyester monofilament reinforcement.	Blue, grey, tan. Special order orange, red. Optional windows 16" x 16".	FDA approved vinyl fabric.

NEWGEN® Guide and Curtain Lok™ system



Toll-free 1-866-792-9968 Fax 1-705-735-9564 info@tnrdoors.com TNRdoors.com

